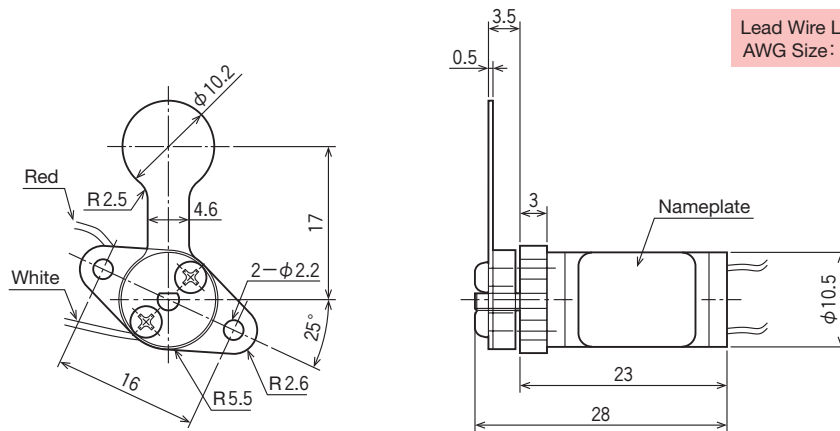


◆ Main Specifications

Heat-Resistant Class	Class E (120°C)	
Rated Voltage	5 (V DC)	
DC Resistance	13 (Ω)	
Coil Saturation Temperature Rise $\Delta\theta_s$ (at 20°C)	$\Delta\theta_s \doteq 21.5 \times W$ (°C) $K \doteq 21.5$ (°C/watt)	
Temperature Rise Time Constant τ	0.5 (minutes)	
Mass	11 (g)	
Shutter Dimensions	$\phi 10.2$ (mm)	
Operating Angle	50 (°)	
Life Cycle/Durability	5,000,000 (cycles)	
Response Speed	with Applied Voltage 3V DC	—
	with Applied Voltage 5V DC	13 (ms) or less
	with Applied Voltage 12V DC	8 (ms) or less



◆ External Dimensions (mm)



Terminal Specifications

Lead Wire Length (mm) : 320
AWG Size : 26

- In this diagram, the shutter is shown magnetically latched to the counterclockwise side.
- When a positive electrode is connected to the Red lead and a negative to the White, the shaft rotates clockwise; when a negative electrode is connected to the Red lead and a positive to the White, the shaft rotates counter-clockwise.

◆ How to Mount

