

◆ Main Specifications

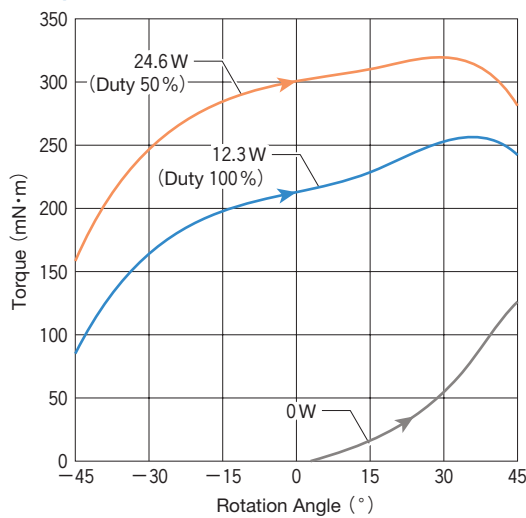
Heat-Resistant Class	Class E (120 °C)
Coil Saturation Temperature Rise $\Delta\theta_s$ (at 20 °C)	$\Delta\theta_s \doteq 6.5 \times W$ (°C) $K \doteq 6.5$ (°C/watt)
Temperature Rise Time Constant τ	8 (minutes)
Insulation Resistance	500V DC MEGA, 100M Ω or more
Dielectric Strength	100V AC, 50/60Hz, 1 minute
Rotor Inertia	36 (g·cm ²)
Mass	500 (g)

◆ Coil Data

Duty Cycle	100%	50%	25%	10%	5%
	Continuous	Intermittent			
Max. ON Time [sec.]	∞	240.1	120.0	48.0	24.0
Power at 20 °C [W]	12.3	24.6	49.2	123.0	246.1
Resistance at 20 °C [Ω]	Voltage [V _{DC}]				
9.0	10.5	14.8	21.0	33.2	47.0
18.0	14.8	21.0	29.7	47.0	66.5
29.0	18.8	26.7	37.7	59.7	84.4
36.0 (standard)	21.0	29.7	42.0	66.5	94.1

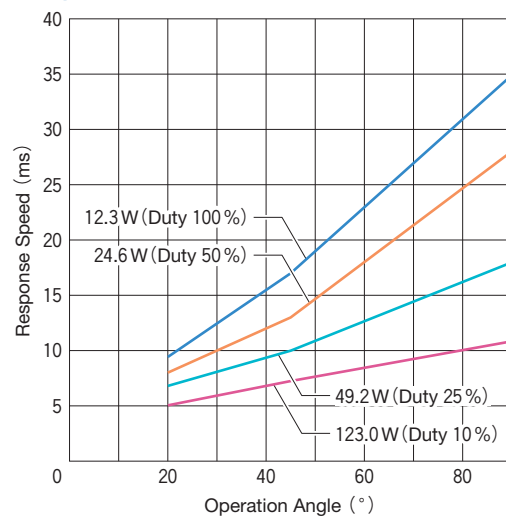


◆ Torque Data

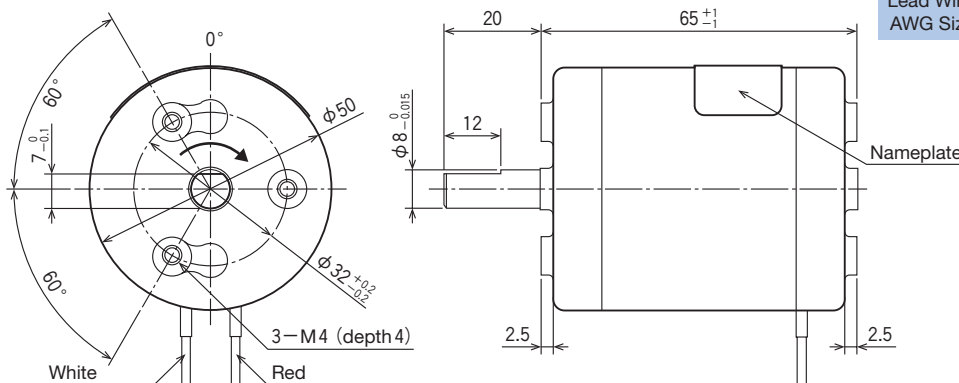


◆ Response Data

(Load Inertia : 35.01 g·cm²)



◆ External Dimensions (mm)



Terminal Specifications

Lead Wire Length (mm) : 270
AWG Size: 22

The above drawing shows the rotary shaft positioned in the center (0°) of its rotation range. When a positive electrode (+) is connected to the Red lead wire, and a negative electrode (-) to the White lead wire, the shaft rotates clockwise (in the direction shown by the arrow).