

# GENERIC 2-WAY/3-WAY SOLENOID VALVES

## High Flow Rate

- Orifice Diameter:  $\phi 2.0$  mm
- Flow Capacity Cv: 0.065

## High Durability

- 10,000,000 cycles
- \* (as tested by Takano Co. in a standard testing environment)



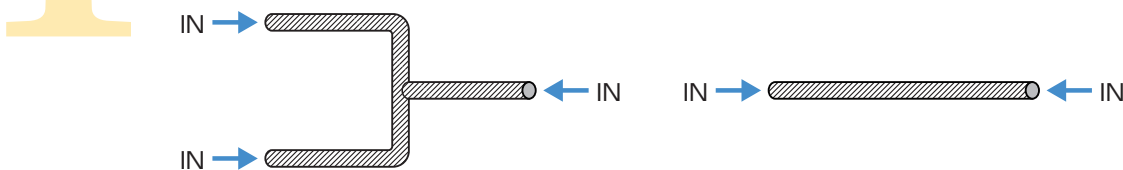
## High Chemical Resistance

- Body: PPS
- Diaphragm: EPDM

## FEATURES

### 1 Flexible Tubing Connection

Designed to withstand  $-90 \sim 200$  kPa, no matter which port is used (compatible with tubes of diameter  $\phi 3$  mm).



### 2 Cast-Resin Coil

For water-resistance and durability, our coils are cast in a resin mold.

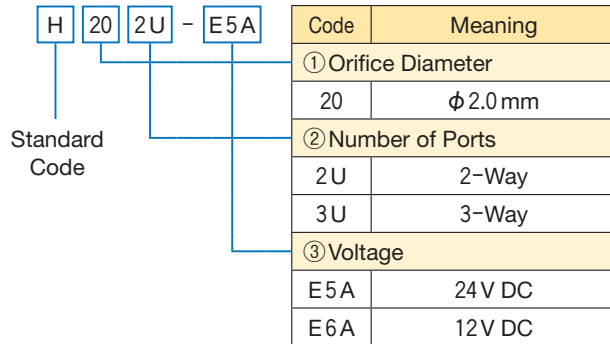
### 3 Simple Structure

At every stage of the manufacturing process, from design to assembly, this product was crafted with structural simplicity in mind.

### ◆ Main Specifications

Model Number *1	2-Way	3-Way
	H 202 U-XXX	H 203 U-XXX
Valve Type	Diaphragm Type Direct Operated Poppet	
Valve Operation	NC (Normally Closed)	[3] : NO [2] : COM [1] : NC
Fluid	Air, Water, Pure Water, Chemicals *2	
Operating Pressure Range	-90 ~ 200 (kPa)	
Compatible Tube Diameter	3 (mm)	
Proof Pressure	300 (kPaG)	
Fluid Temperature	5 ~ 50 (°C)	
Ambient Temperature	5 ~ 50 (°C)	
Ambient Humidity	30 ~ 85 (%)	
Flow Factor Cv	0.065	
Orifice Diameter	2.0 (mm)	
Volume of Valve Chamber	38 (μℓ) or less	99 (μℓ) or less
Enclosure	IP 40 or equivalent	
Mounting Orientation	at will	
Mass	82 (g)	84 (g)
Operating Noise	70 (dB) or less	
Life Cycle/Durability *3	10,000,000 (cycles)	
Material for Wetted Parts	Body: PPS	
	Diaphragm: EPDM	
<b>Electrical Specifications</b>		
Working Voltage	24 (V DC)	12 (V DC)
Allowable Voltage Fluctuation	±10 (%)	
Power Consumption	3 (W)	
Heat-Resistant Class	Class H (180°C)	

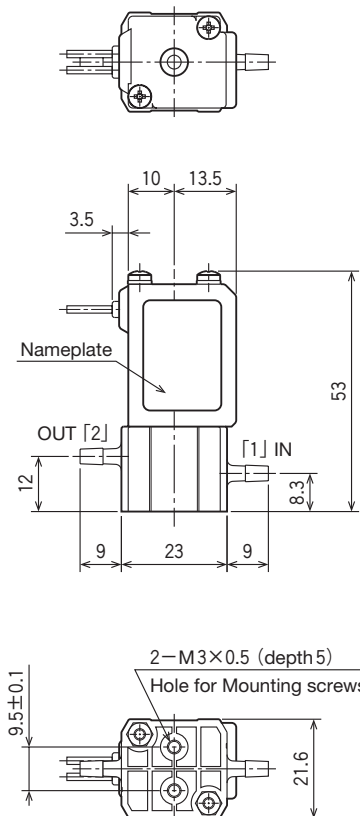
### ◆ Model number Key



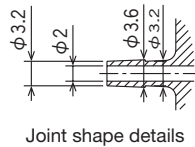
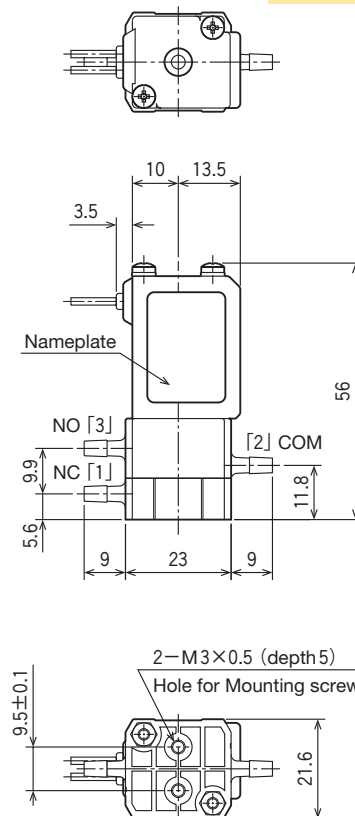
- \* 1: the "XXX" portion represents this model's working voltage. Please choose between E5A & E6A.
- \* 2: please use chemicals that do not corrode the materials used in the wetted part of the valve.
- \* 3: measured by Takano Co. in a standard testing environment.

### ◆ External Dimensions (mm)

<H 202 U-XXX>



<H 203 U-XXX>



### Terminal Specifications

Lead Wire Length (mm) : 495  
AWG Size : 22